

# Posi Lock Instruction Sheet

## Hydraulic Vise

**IMPORTANT RECEIVING INSTRUCTIONS:** Visually inspect all components for shipping damage. If any shipping damage is found, notify carrier at once. Shipping damage is NOT covered by warranty. The carrier is responsible for all repair or replacement cost resulting from damage in shipment.

## SAFETY FIRST

Read all CAUTIONS, WARNINGS, and INSTRUCTIONS included with, or attached to each product. Follow all safety precautions to avoid personal injury or property damage during the system operation. POSI LOCK CANNOT BE RESPONSIBLE FOR DAMAGE OR INJURY RESULTING FROM UNSAFE USE OF PRODUCT, LACK OF MAINTENANCE, OR INCORRECT PRODUCT AND SYSTEM APPLICATION. Contact POSI LOCK when in doubt as to safety precautions or applications.

- Secure Vise to table.
- Small parts should be held with pliers (not your fingers) when clamping object in vise jaws. **Keep all body parts out of vise jaw clamping area. Failure to do so can result in serious injury.**
- Make sure odd shaped object is positioned securely (will not fly out).
- Always wear safety glasses when using vise.
- Do not operate a damaged vise or hydraulic components.
- Use hydraulic gauge to know clamping force exerted. (1000 psi = 1000 lbs. of clamping force)
- Do not drop heavy object on hose and keep hot material away from hose to avoid damage to hose.
- Anticipate possible problems and take steps to avoid them.
- The Posi Lock Hydraulic Vise will have approximately 3 to 5 times the clamping force of a manual vise. Respect these forces.
- Disconnect power source (electricity, air, etc.) when not in use.

## OPERATING INSTRUCTIONS

- Keep vise clean and lubricated.
- Connect air supply 90 psi to 175 psi and hydraulic hose couplers as required.
- Operate hydraulic pump three-position foot trundle to advance (close) vise jaw, hold or retract (open) jaws.
- Air control valve at air inlet, turn (clockwise) to restrict air flow to pump.  
Vise closes slowly, turn (counter clockwise) to allow more air flow to pump.  
Vise closes faster.

Алматы (7273)495-231  
Архангельск (8182)63-90-72  
Астрахань (8512)99-46-04  
Барнаул (3852)73-04-60  
Белгород (4722)40-23-64  
Брянск (4832)59-03-52  
Владивосток (423)249-28-31  
Волгоград (844)278-03-48  
Вологда (8172)26-41-59  
Воронеж (473)204-51-73  
Екатеринбург (343)384-55-89  
Иваново (4932)77-34-06

Ижевск (3412)26-03-58  
Иркутск (395)279-98-46  
Казань (843)206-01-48  
Калининград (4012)72-03-81  
Калуга (4842)92-23-67  
Кемерово (3842)65-04-62  
Киров (8332)68-02-04  
Краснодар (861)203-40-90  
Красноярск (391)204-63-61  
Курск (4712)77-13-04  
Липецк (4742)52-20-81

Магнитогорск (3519)55-03-13  
Москва (495)268-04-70  
Мурманск (8152)59-64-93  
Набережные Челны (8552)20-53-41  
Нижний Новгород (831)429-08-12  
Новокузнецк (3843)20-46-81  
Новосибирск (383)227-86-73  
Омск (3812)21-46-40  
Орел (4862)44-53-42  
Оренбург (3532)37-68-04  
Пенза (8412)22-31-16

Пермь (342)205-81-47  
Ростов-на-Дону (863)308-18-15  
Рязань (4912)46-61-64  
Самара (846)206-03-16  
Санкт-Петербург (812)309-46-40  
Саратов (845)249-38-78  
Севастополь (8692)22-31-93  
Симферополь (3652)67-13-56  
Смоленск (4812)29-41-54  
Сочи (862)225-72-31  
Ставрополь (8652)20-65-13

Сургут (3462)77-98-35  
Тверь (4822)63-31-35  
Томск (3822)98-41-53  
Тула (4872)74-02-29  
Тюмень (3452)66-21-18  
Ульяновск (8422)24-23-59  
Уфа (347)229-48-12  
Хабаровск (4212)92-98-04  
Челябинск (351)202-03-61  
Череповец (8202)49-02-64  
Ярославль (4852)69-52-93

Киргизия (996)312-96-26-47

Россия (495)268-04-70

Казахстан (7172)727-132

## **Posi Lock Hydraulic Vise PHV859A**

### **Warranty Statement**

The Posi Lock PHV859A Hydraulic Vise has a 5 year warranty against material defects and workmanship to meet the exacting standards and requirements of professional maintenance. Every product manufactured and/or sold by Posi Lock found to be defective (by the factory) in either material or workmanship, will be repaired or replaced.

Any product that has been abused, worn out, heated, ground on or otherwise altered, or used for a purpose other than that for which it was intended, will not be covered by this guarantee.

Notice: Posi Lock reserves the right to make changes in design or construction of tools and equipment without obligation to incorporate such changes in tools and equipment previously sold.

### **Warranty Statement Specific to Hydraulic Components Limited Lifetime Warranty**

Posi Lock warrants this product to be free from defects in material and workmanship for the life of the product. This warranty applies to the original purchaser (end user) only and is not transferable.

Damaged components, including bent rams, dented or crushed cylinder walls are the result of misuse, misapplication or a combination of both and will not be considered under warranty. Normal wear such as worn out seals, couplers, O-rings and springs does not constitute a defect and will not be considered for warranty credit.

However, in the unlikely event that the product fails due to material or workmanship defect, you can contact the Posi Lock warranty division. Except where such limitations and exclusions are specifically prohibited by law, the consumer's sole and exclusive remedy shall be the repair or replacement of the defective product.

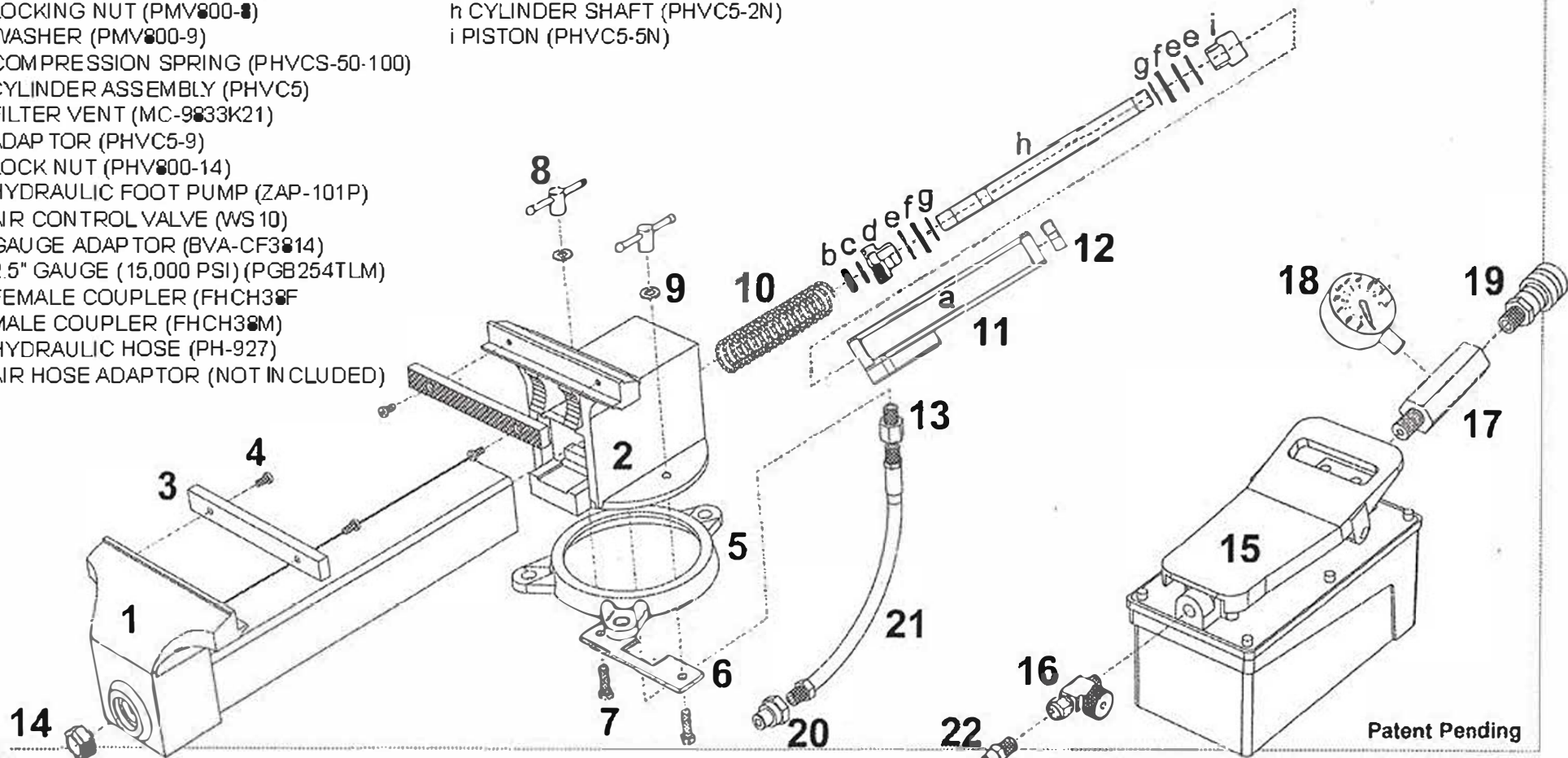
Posi Lock shall not be liable for any consequential or incidental damage or loss whatsoever. Any and all expressed and implied warranties, including without limitation, any warranties of merchantability and fitness for a particular purpose, are limited to the original purchaser. Some states do not allow the exclusion or limitation of incidental or consequential damages, so the above may not apply to you. This warranty gives you specific legal rights. You may also have other rights which vary from state to state.

# MODEL - PHV859A

- 01 FRONT JAW (SUBSTANCE) (PHV800-1)
- 02 BACK JAW (SUBSTANCE)(PHV800-1)
- 03 JAW PLATES (PMV800-3)
- 04 JAW PLATE SET SCREW (MC-92220A539)
- 05 SWIVEL BASE (PMV800-5)
- 06 BASE LOCK PLATE (PMV800-6)
- 07 LOCKING BOLT (PMV800-7)
- 08 LOCKING NUT (PMV800-8)
- 09 WASHER (PMV800-9)
- 10 COMPRESSION SPRING (PHVCS-50-100)
- 11 CYLINDER ASSEMBLY (PHVC5)
- 12 FILTER VENT (MC-9833K21)
- 13 ADAPTOR (PHVC5-9)
- 14 LOCK NUT (PHV800-14)
- 15 HYDRAULIC FOOT PUMP (ZAP-101P)
- 16 AIR CONTROL VALVE (WS 10)
- 17 GAUGE ADAPTOR (BVA-CF3814)
- 18 2.5" GAUGE (15,000 PSI) (PGB254TLM)
- 19 FEMALE COUPLER (FHCH38F)
- 20 MALE COUPLER (FHCH38M)
- 21 HYDRAULIC HOSE (PH-927)
- 22 AIR HOSE ADAPTOR (NOT INCLUDED)

- a CYLINDER HOUSING (PHVC5-1N)
- b GLAND SEAL (G01-042-000A)
- c ROD SEAL B/W (PHVC5-7N)
- d CYLINDER GLAND (PHVC5-4N)
- e BACK-UP WASHER (PHVC5-6N)
- f 1" I.D. SEAL (005-109-000A)
- g EXTERNAL SNAP RING (MC-91665A460)
- h CYLINDER SHAFT (PHVC5-2N)
- i PISTON (PHVC5-5N)

Posi Lock Hydraulic Vise  
8" Jaws  
5 Ton 8" Stroke Cylinder  
Air/Hydraulic Foot Pump



Алматы (7273)495-231  
Архангельск (8182)63-90-72  
Астрахань (8512)99-46-04  
Барнаул (3852)73-04-60  
Белгород (4722)40-23-64  
Брянск (4832)59-03-52  
Владивосток (423)249-28-31  
Волгоград (844)278-03-48  
Вологда (8172)26-41-59  
Воронеж (473)204-51-73  
Екатеринбург (343)384-55-89  
Иваново (4932)77-34-06

Ижевск (3412)26-03-58  
Иркутск (395)279-98-46  
Казань (843)206-01-48  
Калининград (4012)72-03-81  
Калуга (4842)92-23-67  
Кемерово (3842)65-04-62  
Киров (8332)68-02-04  
Краснодар (861)203-40-90  
Красноярск (391)204-63-61  
Курск (4712)77-13-04  
Липецк (4742)52-20-81

Магнитогорск (3519)55-03-13  
Москва (495)268-04-70  
Мурманск (8152)59-64-93  
Набережные Челны (8552)20-53-41  
Нижний Новгород (831)429-08-12  
Новокузнецк (3843)20-46-81  
Новосибирск (383)227-86-73  
Омск (3812)21-46-40  
Орел (4862)44-53-42  
Оренбург (3532)37-68-04  
Пенза (8412)22-31-16

Пермь (342)205-81-47  
Ростов-на-Дону (863)308-18-15  
Рязань (4912)46-61-64  
Самара (846)206-03-16  
Санкт-Петербург (812)309-46-40  
Саратов (845)249-38-78  
Севастополь (8692)22-31-93  
Симферополь (3652)67-13-56  
Смоленск (4812)29-41-54  
Сочи (862)225-72-31  
Ставрополь (8652)20-65-13

Сургут (3462)77-98-35  
Тверь (4822)63-31-35  
Томск (3822)98-41-53  
Тула (4872)74-02-29  
Тюмень (3452)66-21-18  
Ульяновск (8422)24-23-59  
Уфа (347)229-48-12  
Хабаровск (4212)92-98-04  
Челябинск (351)202-03-61  
Череповец (8202)49-02-64  
Ярославль (4852)69-52-93

Киргизия (996)312-96-26-47

Россия (495)268-04-70

Казахстан (7172)727-132